

# PN65K

## Near Field Communication (NFC) SmartConnect Module in a single package

Rev. 1.3 — 20 October 2006

Objective short data sheet

### 1. General description

PN65K combines in a single package a Near Field Communication (NFC) controller PN531 and a Secure Smart Card controller. They are tied together by the means of external connections for the S<sup>2</sup>C interface and the PN531 is supplying the Smart card controller by the means of a specific internal regulator. The embedded PN531 firmware drives the supply to the SmartMX device when required in order to optimize the overall current consumption of the SmartConnect device.

The PN65K can behave as an NFC initiator, working in active or passive mode and when operating in passive mode it can operate as a reader/writer for Mifare or FeliCa contactless smart cards. The Peer to peer functionality is also supported in both active and passive modes.

The PN65K can also operate as a card mode and specially when the combined SmartMX device is enabled it can operate as a pure Mifare card or as a fully compliant ISO14443A 3&4 contactless smart card.

#### 1.1 Naming conventions

P65xyy(y)z	SmartConnect Module
<b>PN65</b>	SmartConnect module based on the Smart Card IC P5CNaabb plus NFC IC
<b>x</b>	defines the NFC IC Pn5xx, e.g. A for PN511, B for PN512, K for PN531, L for PN532
<b>yy(y)</b>	Package Type: HN for HVQFN
<b>z</b>	Optional parameter for discrete components in the integrated in the MCM or version identification
<b>Example:</b>	
<b>PN65KHN1</b>	K: module with PN531, HN: HVQFN package, 1: pure MCM version

## 2. Features

### 2.1 General

- SmartConnect module integrating NFC controller PN531 device and SmartMX (P5CN072) secure smart card controller in a single package.
- Single package solution for size optimization; needs external antenna matching circuitry, uncoupling capacitors and crystal oscillator.
- Fully NFC IP-1 (ISO18092) compliant

### 2.2 NFC controller

- 80C51 microcontroller core with 32 Kbyte ROM and 1 Kbyte RAM
- Highly integrated analog circuitry to demodulate and decode responses
- Buffered output drivers to connect an antenna with minimum number of external components
- Integrated RF Level detector
- Integrated data mode detector
- Supports ISO 14443A/Mifare
- Typical operating distance in reader/writer mode for communication to a ISO 14443A/Mifare or FeliCa card up to 50 mm depending on the antenna size and tuning
- Typical operating distance in NFCIP-1 mode up to 50 mm depending on the antenna size and tuning and power supply
- Typical operating distance in ISO 14443A/Mifare card or FeliCa card interface mode of about 100 mm depending on the antenna size and tuning and the external field strength
- Supports Mifare Classic encryption in reader/writer mode and Mifare higher transfer speed communication at 212 kbit/s and 424 kbit/s
- Supports contactless communication according to the FeliCa scheme at 212 kBaud and 424 kBaud
- Integrated RF interface for NFCIP-1 up to 424 kBaud
- Possibility to communicate on the RF interface above 424 kBaud using external analog circuitry
- Supported host interfaces
  - ◆ SPI interface
  - ◆ I<sup>2</sup>C interface
  - ◆ High Speed Serial UART (similar to RS232 with 0 and PVDD voltage levels)
- Flexible interrupt using IRQ pin
- Hard reset with low power function
- Power-down mode per embedded firmware
- Programmable timer
- Internal oscillator to connect 27.12 MHz crystal
- 3.3 V power supply when not USB bus powered
- Power Switch for external secure component
- Specific IO ports for external devices control

## 2.3 Secure smart card controller

The device used in this module is the P5CN072 Secure Dual Interface PKI Smart Card Controller which has the following features:

- 72 Kbytes EEPROM
- 160 Kbytes User ROM
- 4608 bytes RAM
- PKI (Public Key Infrastructure) co-processor
- Dual Triple DES Key co-processor
- S<sup>2</sup>C interface to enable secure contact-less communication via NFC (Near Field Communication)
- EEPROM data retention time: 20 years minimum

The P5CN072 is a Secure Dual interface PKI Smart Card Controller of the SmartMX platform featuring 160 Kbytes of user ROM, 4608 bytes of RAM and 72 Kbytes of EEPROM which can be used as data memory or as program memory. The non-volatile memory consists of high reliability memory cells to guaranty data integrity which is important especially when EEPROM memory is used as program memory.

Operated both in contact mode (ISO IEC 7816) or S<sup>2</sup>C mode, the user defines the final function of the chip with his chip operating system (COS). This allows the same level of security, functionality and flexibility for the contact interface as well for the S<sup>2</sup>C interface.

The S<sup>2</sup>C technology provides reliable digital communication to the PN531 NFC device to enable secure contactless communication for NFC enabled devices.

The S<sup>2</sup>C interface is connected internally to the internal ISO 14443 CIU. The CIU handles the modulation and demodulation of the S<sup>2</sup>C signals so that a full contact-less communication should be enabled using this interface. The supply VDD is provided by the PN531 voltage regulator.

The P5CN072 offers the same features of contact and contact-less mode handling as the other members of the SmartMX family.

Connected via the S<sup>2</sup>C interface to the PN531 NFC controller, P5CN072 is compatible with Mifare reader infrastructure and the optional free of charge emulation mode of Mifare 1K and Mifare 4K enable fast system integration and backward compatibility of standard Mifare and ProX family based cards. The communication on the S<sup>2</sup>C interface support ISO IEC 14443A-3 and ISO IEC 14443A-4 parts.

The on chip hardware is software controlled through special function registers (SFRs). Their function and usage is described in the P5CN072 data sheet.

The P5CN072 is powered by the PN531 device.

### 3. Applications

- mobile phones
- portable equipments (Personal Digital Assistants, notebooks)
- accessories (keyfobs, memory cards)
- consumer devices

### 4. Quick reference data

Table 1: Quick reference data

Symbol	Parameter	Conditions	Min	Typ	Max	Unit
V <sub>BUS</sub>	Supply Voltage (non USB mode)	V <sub>BUS</sub> = DV <sub>DD</sub> V <sub>SS</sub> = 0 V	2.5	3.3	3.6	V
TV <sub>DD</sub> , AV <sub>DD</sub> , DV <sub>DD</sub>	Supply Voltage	TV <sub>DD</sub> = AV <sub>DD</sub> = DV <sub>DD</sub> V <sub>SS</sub> = 0 V	[1] 2.5	3.3	3.6	V
PV <sub>DD</sub>	Supply Voltage for host interface	V <sub>SS</sub> = 0 V	1.6		3.6	V
SV <sub>DD</sub>	Supply Voltage for SAM interface	V <sub>SS</sub> = 0 V (SV <sub>DD</sub> Switch Enabled)	2.4		3.6	V
IHPD	Hard Power Down Current (Not powered from USB)	AV <sub>DD</sub> = DV <sub>DD</sub> = TV <sub>DD</sub> = PV <sub>DD</sub> = 3 V, RF level detector off			10	μA
ISPD	Soft Power down Current (Not powered from USB)	AV <sub>DD</sub> = DV <sub>DD</sub> = TV <sub>DD</sub> = PV <sub>DD</sub> = 3 V, RF level detector on			30	μA
IDV <sub>DD</sub>	Digital Supply Current	AV <sub>DD</sub> = DV <sub>DD</sub> = TV <sub>DD</sub> = PV <sub>DD</sub> = 3 V, RF level detector on, SV <sub>DD</sub> switch off	[1]	15		mA
ISV <sub>DD</sub>	SV <sub>DD</sub> Supply Current	SV <sub>DD</sub> = 3 V, SV <sub>DD</sub> switch On			30	mA
I <sub>AVDD</sub>	Analog Supply Current	AV <sub>DD</sub> = DV <sub>DD</sub> = TV <sub>DD</sub> = PV <sub>DD</sub> = 3 V, RF level detector on		6		mA
ITV <sub>DD</sub>	Transmitter Supply Current	During RF Transmission, TV <sub>DD</sub> = 3 V		60	100	mA
P <sub>tot</sub>	continuous total power dissipation in non USB mode	T <sub>amb</sub> = -30 to +85 °C			0.15	W
T <sub>amb</sub>	operating ambient temperature		-30		+85	°C

[1] DV<sub>DD</sub>, AV<sub>DD</sub> and TV<sub>DD</sub> shall always be at the same supply voltage.

## 5. Ordering information

Table 2: Ordering information

Type number	Package		Version
	Name	Description	
PN65KHN1/C2xyyy	HVQFN48	Plastic thermal enhanced very thin package quad flat package; no leads 48 terminals; 7 × 7 × 0.85 mm	SOT619

## 6. Block diagram

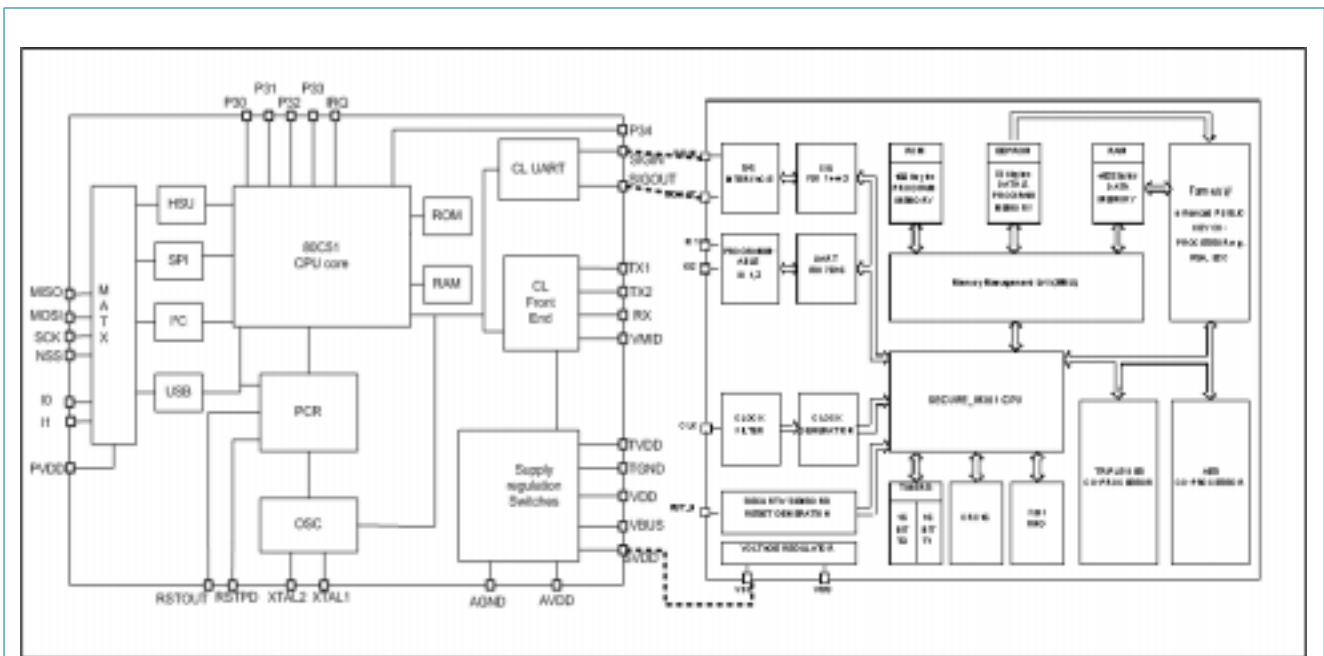


Fig 1. Block diagram of PN65K

## 7. Pinning information

### 7.1 Pinning

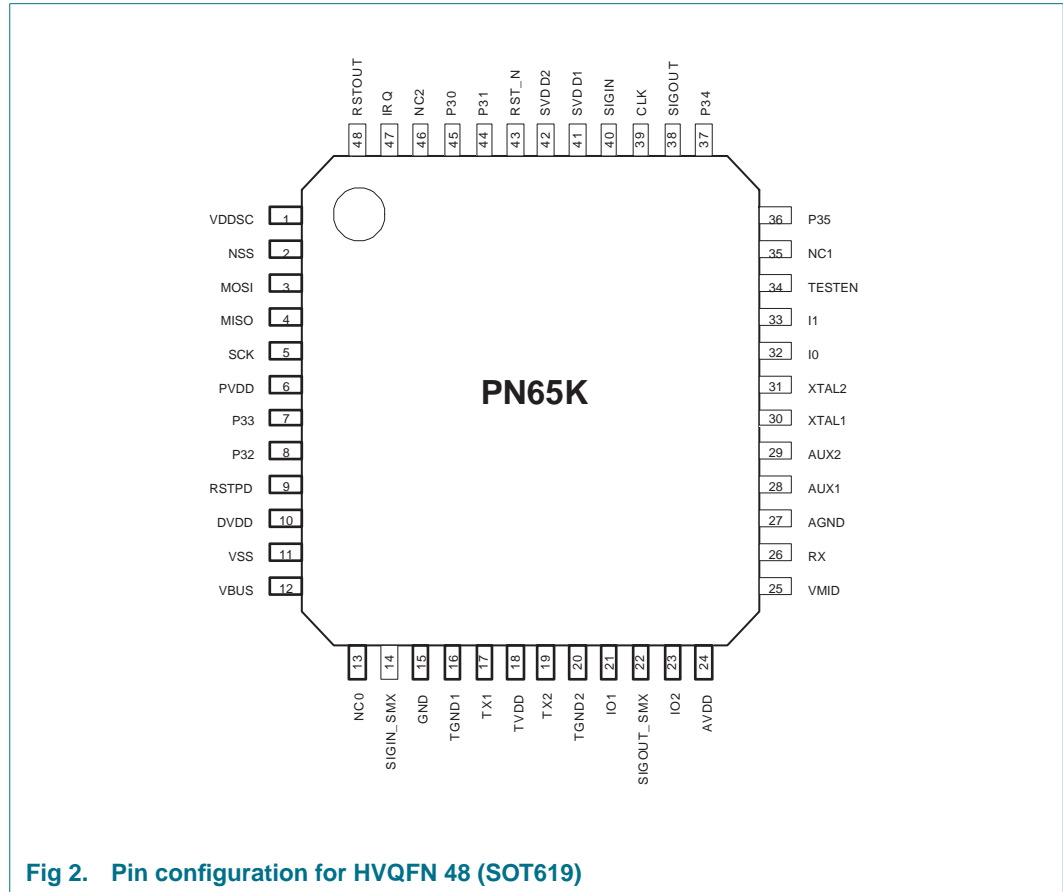


Fig 2. Pin configuration for HVQFN 48 (SOT619)

### 7.2 Pin description

Table 3: Pin description

Symbol	Pin	Type	Pad Ref Voltage	Description
VDDSC	1	PWR		SmartMX supply; to be connected to pins SVDD1 and SVDD2
NSS	2	IO	PVDD	Not Slave Select. In test mode this signal is used as input and output test signal.
MOSI	3	IO	PVDD	Master Out Slave In. In test mode this signal is used as input and output test signal
MISO	4	IO	PVDD	Master In Slave Out. In test mode this signal is used as input and output test signal
SCK	5	IO	PVDD	Serial interface clock. In test mode this signal is used as input and output test signal
PVDD	6	PWR		Pad power supply

## Near Field Communication (NFC) SmartConnect Module in a single package

Table 3: Pin description ...continued

Symbol	Pin	Type	Pad Ref Voltage	Description
P33	7	IO	PVDD	General purpose IO signal. Can be used to generate an HZ state on the output of the selected interface for the Host communication and to enter PN531 into Power-down mode without resetting the internal state of PN531. In test mode this signal is used as input and output test signal.
P32	8	IO	PVDD	General purpose IO signal. Can also be used as an interrupt source. In test mode this signal is used as input and output test signal.
RSTPD	9	I	PVDD	Reset and Power Down: When High, internal current sources are switched off, the oscillator is inhibited, and the input pads are disconnected from the outside world. With a positive edge on this pin the internal reset phase starts.
DVDD	10	PWR		Digital Power Supply
VSS	11	PWR		Ground for SmartMX
VBUS	12	PWR	DVDD	Supply voltage
NC0	13			Do not connect
SIGIN_SMX	14	IO	VDDSC	S <sup>2</sup> C signal to PN531
GND	15	PWR		Ground
TGND1	16	PWR		Transmitter ground
TX1	17	O	TVDD	Transmitter 1: delivers the modulated 13.56 MHz energy carrier
TVDD	18	PWR		Transmitter supply voltage; supply the output stage of TX1 TX2
TX2	19	O	TVDD	Transmitter 2: delivers the modulated 13.56 MHz energy carrier
TGND2	20	PWR		Transmitter ground
IO1	21	IO	VDDSC	SmartMX: Input/Output 1 for serial data
SIGOUT_SMX	22	I	VDDSC	S <sup>2</sup> C signal from the PN531
IO2	23	IO	VDDSC	SmartMX: Input/Output 2 for serial data
AVDD	24	PWR		Analog power supply
VMID	25	PWR	AVDD	Internal Reference Voltage: This pin delivers the internal reference voltage.
RX	26	I	AVDD	Receiver Input: Input pin for the reception signal, which is the load modulated 13.56 MHz energy carrier from the antenna circuit.
AGND	27	PWR		Analog Ground
AUX1	28	O	DVDD	Auxiliary Output: This pin delivers analog and digital test signals.
AUX2	29	O	DVDD	Auxiliary Output: This pin delivers analog and digital test signals.
XTAL1	30	I	AVDD	Crystal Oscillator Input: input to the inverting amplifier of the oscillator. This pin is also the input for an externally generated clock ( $f_{osc} = 27.12$ MHz).
XTAL2	31	O	AVDD	Crystal Oscillator output: Output of the inverting amplifier of the oscillator.
I0	32	I	DVDD	Interface mode lines: selects the used host interface. In test mode I0 is used as test signals.
I1	33	I	DVDD	Interface mode lines: selects the used host interface. In test mode I0 is used as test signals.
TESTEN	34	I	DVDD	Test enable pin: When set to 1 enable the test mode. When set to 0 reset the TCB and disable the access to the test mode.
NC1	35			Do not connect
P35	36	IO	DVDD	General purpose IO signal.

Table 3: Pin description ...continued

Symbol	Pin	Type	Pad Ref Voltage	Description
P34	37	IO	SVDD	General purpose IO signal.
SIGOUT	38	O	SVDD	Contactless communication interface output: delivers a serial data stream according to NFCIP-1 and output signal for the SAM. In test mode this signal is used as test signal output.
CLK	39	I	VDDSC	SMX Clock input
SIGIN	40	I	SVDD	Contactless communication interface input: accepts a digital, serial data stream according to NFCIP-1 and input signal from the SAM. In test mode this signal is used as test signal input.
SVDD1	41	PWR		Output power for SmartMX power supply. Switched on by Firmware with an overload detection. Used as a reference voltage for SAM communication.
SVDD2	42	PWR		Output power for SmartMX power supply. Switched on by Firmware with an overload detection. Used as a reference voltage for SAM communication.
RSTN	43	I	VDDSC	SmartMX reset input; active low
P31	44	IO	PVDD	General purpose IO signal.Can be configured to act either as TX line of the second serial interface or general purpose IO. In test mode this signal is used as input and output test signal.
P30	45	IO	PVDD	General purpose IO signal.Can be configured to act either as TX line of the second serial interface or general purpose IO. In test mode this signal is used as input and output test signal.
NC2	46			Do not connect
IRQ	47	O	PVDD	Interrupt request: Output to signal an interrupt event to the host (Port 7 bit 0)
RSTOUT	48	IO	PVDD	Output reset signal. When Low it indicates that the circuit is in reset state.



## 8. Limiting values

**Table 4: Limiting values**

In accordance with the Absolute Maximum Rating System (IEC 60134). Voltages are referenced to VSS (ground = 0 V).

Symbol	Parameter	Conditions	Min	Max	Unit
PV <sub>DD</sub> , SV <sub>DD</sub> , TV <sub>DD</sub> , AV <sub>DD</sub> , DV <sub>DD</sub> , V <sub>BUS</sub>	Supply voltage		-0.5	+4.0	V
V <sub>DDSC</sub>	Supply voltage		-0.5	+6.0	V
P <sub>tot</sub>	Total power dissipation per package (V <sub>BUS</sub> and DV <sub>DD</sub> in short cut mode)		-	<td>	W
I <sub>TX1</sub>	Maximum current in transmitter TX1		-100	100	mA
I <sub>TX2</sub>	Maximum current in transmitter TX2		-100	100	mA
T <sub>stg</sub>	Storage temperature range		-55	150	°C
T <sub>J</sub>	Junction temperature range			100	°C
V <sub>ESD</sub>	Electrostatic discharge voltage on all pins			± 2.0	kV
ESDH	ESD Susceptibility (Human Body model)	1500 Ωm, 100pF; JESD22-A114-B		2	KV
ESDM	ESD Susceptibility (Machine model)	0.75 mH, 200 pF; JESD22-A114-A		200	V

## 9. Recommended operating conditions

**Table 5: Operating conditions**

Symbol	Parameter	Conditions	Min	Typ	Max	Unit
TV <sub>DD</sub> , AV <sub>DD</sub> , DV <sub>DD</sub> , V <sub>BUS</sub>	Supply voltage	TV <sub>DD</sub> = AV <sub>DD</sub> = DV <sub>DD</sub> V <sub>SS</sub> = 0 V	2.5	3.3	3.6	V
PV <sub>DD</sub>	Supply voltage for host interface	V <sub>SS</sub> = 0 V	1.6	1.8 to 3.3	3.6	V
SV <sub>DD</sub> , V <sub>DDSC</sub>	Supply voltage for Smart card device	V <sub>SS</sub> = 0 V Sam_switch_en set to 1	2.4	3.3	3.6	V
T <sub>amb</sub>	Operating ambient temperature (ISO 7816 or ISO 14443 operation)		-15	+25	+85	°C

### 10. Application information

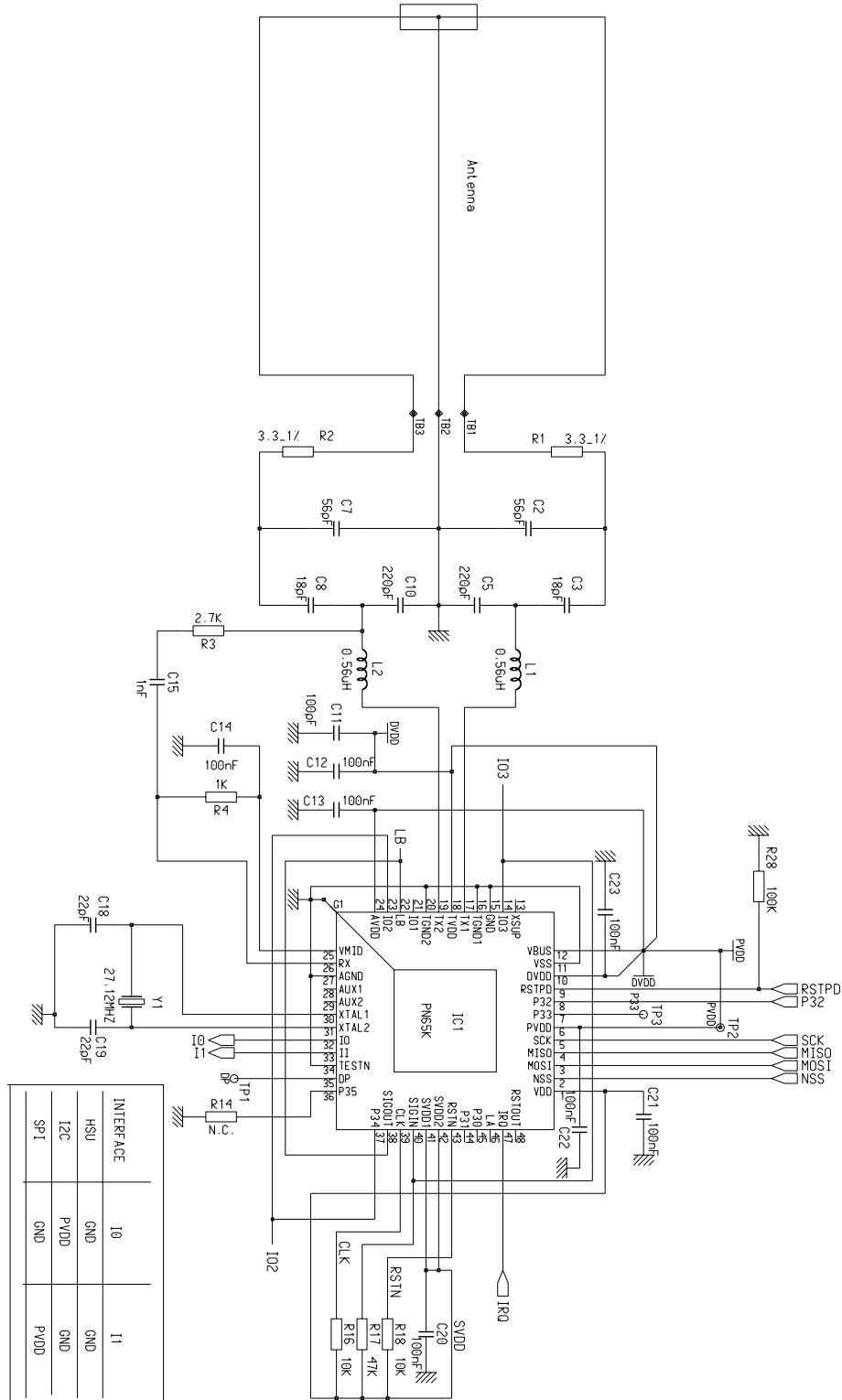
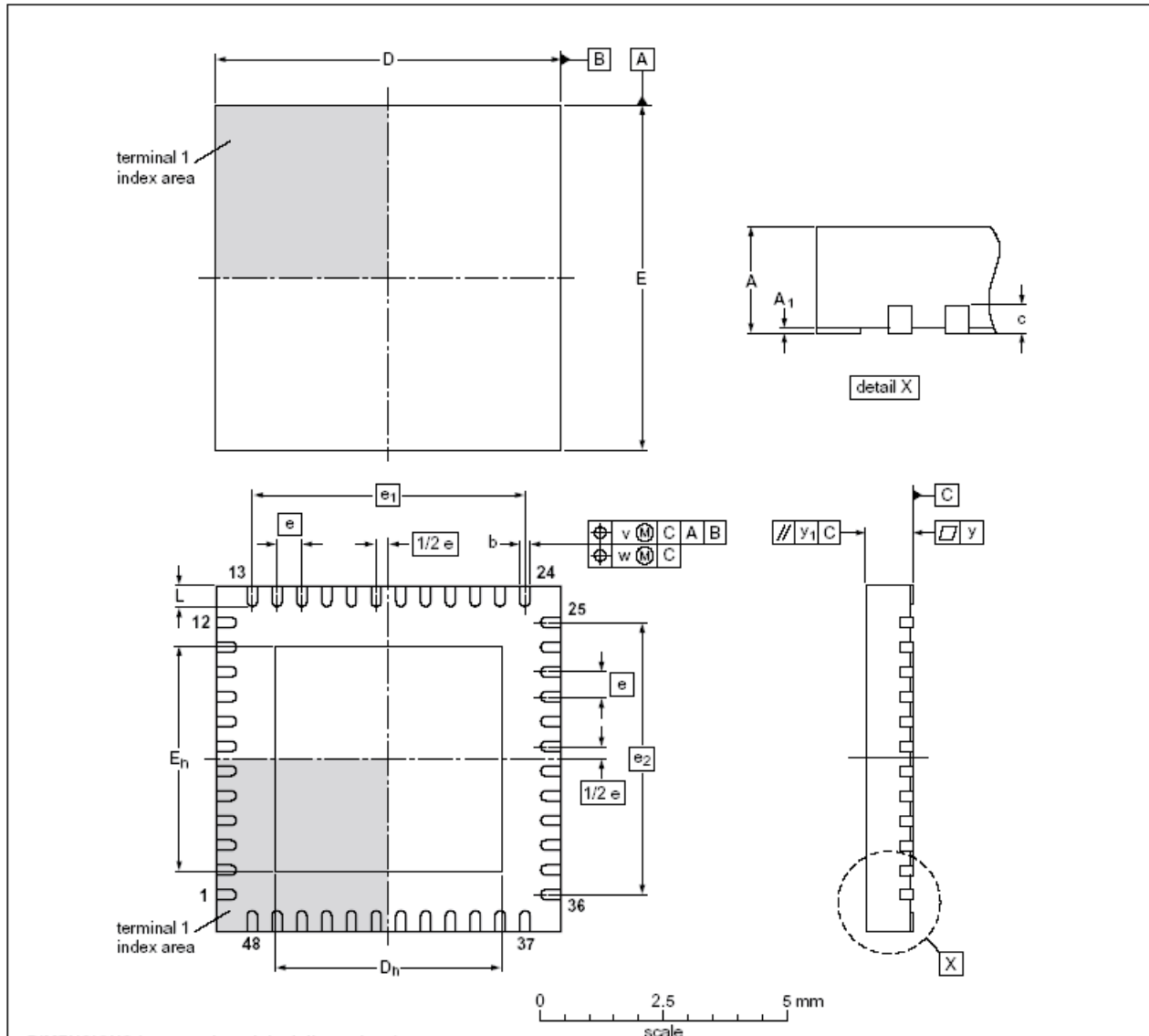


Fig 3. Application diagram of PN65K

### 11. Package outline

HVQFN48: plastic thermal enhanced very thin quad flat package; no leads; 48 terminals; body 7 x 7 x 0.85 mm

SOT619-6



DIMENSIONS (mm are the original dimensions)

UNIT	A <sup>(1)</sup> max	A <sub>1</sub>	b	c	D <sup>(1)</sup>	D <sub>h</sub>	E <sup>(1)</sup>	E <sub>h</sub>	e	e <sub>1</sub>	e <sub>2</sub>	L	v	w	y	y <sub>1</sub>
mm	1	0.05 0.00	0.30 0.18	0.2	7.1 6.9	4.75 4.45	7.1 6.9	4.75 4.45	0.5	5.5	5.5	0.5 0.3	0.1	0.05	0.05	0.1

Note

1. Plastic or metal protrusions of 0.075 mm maximum per side are not included

OUTLINE VERSION	REFERENCES			EUROPEAN PROJECTION	ISSUE DATE
	IEC	JEDEC	JEITA		
SOT619-6	---	MO-220	---		05-05-12 05-06-16

Fig 4. Package outline SOT619-6 (HVQFN48)

## 12. References

---

[For technical information see separate documents:](#)

- [“Data Sheet P5CN072, Secure Dual Interface PKI Smart Card Controller,](#)
- [“Data Sheet PN531\\_C2, Near Field Communication Controller,](#)

## 13. Revision history

Table 6. Revision history

Document ID	Release date	Data sheet status	Change notice	Supersedes
111113	20 October 2006	Objective short data sheet		Revision 1.2
Modifications:				
				<ul style="list-style-type: none"><li>• The format of this data sheet has been redesigned to comply with the new identity guidelines of NXP Semiconductors.</li><li>• Legal texts have been adapted to the new company name where appropriate.</li><li>• <a href="#">Section 4 "Quick reference data" on page 4</a>: added new Section</li><li>• <a href="#">Section 11 "Package outline" on page 11</a>: update of package drawing</li></ul>

## 14. Legal information

### 14.1 Data sheet status

Document status <sup>[1][2]</sup>	Product status <sup>[3]</sup>	Definition
Objective [short] data sheet	Development	This document contains data from the objective specification for product development.
Preliminary [short] data sheet	Qualification	This document contains data from the preliminary specification.
Product [short] data sheet	Production	This document contains the product specification.

[1] Please consult the most recently issued document before initiating or completing a design.

[2] The term 'short data sheet' is explained in section "Definitions".

[3] The product status of device(s) described in this document may have changed since this document was published and may differ in case of multiple devices. The latest product status information is available on the Internet at URL <http://www.nxp.com>.

### 14.2 Definitions

**Draft** — The document is a draft version only. The content is still under internal review and subject to formal approval, which may result in modifications or additions. NXP Semiconductors does not give any representations or warranties as to the accuracy or completeness of information included herein and shall have no liability for the consequences of use of such information.

**Short data sheet** — A short data sheet is an extract from a full data sheet with the same product type number(s) and title. A short data sheet is intended for quick reference only and should not be relied upon to contain detailed and full information. For detailed and full information see the relevant full data sheet, which is available on request via the local NXP Semiconductors sales office. In case of any inconsistency or conflict with the short data sheet, the full data sheet shall prevail.

### 14.3 Disclaimers

**General** — Information in this document is believed to be accurate and reliable. However, NXP Semiconductors does not give any representations or warranties, expressed or implied, as to the accuracy or completeness of such information and shall have no liability for the consequences of use of such information.

**Right to make changes** — NXP Semiconductors reserves the right to make changes to information published in this document, including without limitation specifications and product descriptions, at any time and without notice. This document supersedes and replaces all information supplied prior to the publication hereof.

**Suitability for use** — NXP Semiconductors products are not designed, authorized or warranted to be suitable for use in medical, military, aircraft, space or life support equipment, nor in applications where failure or malfunction of a NXP Semiconductors product can reasonably be expected to

result in personal injury, death or severe property or environmental damage. NXP Semiconductors accepts no liability for inclusion and/or use of NXP Semiconductors products in such equipment or applications and therefore such inclusion and/or use is at the customer's own risk.

**Applications** — Applications that are described herein for any of these products are for illustrative purposes only. NXP Semiconductors makes no representation or warranty that such applications will be suitable for the specified use without further testing or modification.

**Limiting values** — Stress above one or more limiting values (as defined in the Absolute Maximum Ratings System of IEC 60134) may cause permanent damage to the device. Limiting values are stress ratings only and operation of the device at these or any other conditions above those given in the Characteristics sections of this document is not implied. Exposure to limiting values for extended periods may affect device reliability.

**Terms and conditions of sale** — NXP Semiconductors products are sold subject to the general terms and conditions of commercial sale, as published at <http://www.nxp.com/profile/terms>, including those pertaining to warranty, intellectual property rights infringement and limitation of liability, unless explicitly otherwise agreed to in writing by NXP Semiconductors. In case of any inconsistency or conflict between information in this document and such terms and conditions, the latter will prevail.

**No offer to sell or license** — Nothing in this document may be interpreted or construed as an offer to sell products that is open for acceptance or the grant, conveyance or implication of any license under any copyrights, patents or other industrial or intellectual property rights.

### 14.4 Trademarks

Notice: All referenced brands, product names, service names and trademarks are the property of their respective owners.

**Mifare** — is a trademark of NXP B.V. (replace by text inset t001tma<1nn>)

## 15. Contact information

For additional information, please visit: <http://www.nxp.com>

For sales office addresses, send an email to: [salesaddresses@nxp.com](mailto:salesaddresses@nxp.com)

## 16. Tables

Table 1: Quick reference data . . . . .	4	Table 4: Limiting values . . . . .	9
Table 2: Ordering information . . . . .	5	Table 5: Operating conditions . . . . .	9
Table 3: Pin description . . . . .	6	Table 6: Revision history . . . . .	13

## 17. Figures

Fig 1. Block diagram of PN65K . . . . .	5	Fig 3. Application diagram of PN65K . . . . .	10
Fig 2. Pin configuration for HVQFN 48 (SOT619) . . . . .	6	Fig 4. Package outline SOT619-6 (HVQFN48) . . . . .	11

## 18. Contents

<b>1</b>	<b>General description . . . . .</b>	<b>1</b>
1.1	Naming conventions . . . . .	1
<b>2</b>	<b>Features . . . . .</b>	<b>2</b>
2.1	General . . . . .	2
2.2	NFC controller . . . . .	2
2.3	Secure smart card controller . . . . .	3
<b>3</b>	<b>Applications . . . . .</b>	<b>4</b>
<b>4</b>	<b>Quick reference data . . . . .</b>	<b>4</b>
<b>5</b>	<b>Ordering information . . . . .</b>	<b>5</b>
<b>6</b>	<b>Block diagram . . . . .</b>	<b>5</b>
<b>7</b>	<b>Pinning information . . . . .</b>	<b>6</b>
7.1	Pinning . . . . .	6
7.2	Pin description . . . . .	6
<b>8</b>	<b>Limiting values . . . . .</b>	<b>9</b>
<b>9</b>	<b>Recommended operating conditions . . . . .</b>	<b>9</b>
<b>10</b>	<b>Application information . . . . .</b>	<b>10</b>
<b>11</b>	<b>Package outline . . . . .</b>	<b>11</b>
<b>12</b>	<b>References . . . . .</b>	<b>12</b>
<b>13</b>	<b>Revision history . . . . .</b>	<b>13</b>
<b>14</b>	<b>Legal information . . . . .</b>	<b>14</b>
14.1	Data sheet status . . . . .	14
14.2	Definitions . . . . .	14
14.3	Disclaimers . . . . .	14
14.4	Trademarks . . . . .	14
<b>15</b>	<b>Contact information . . . . .</b>	<b>14</b>
<b>16</b>	<b>Tables . . . . .</b>	<b>15</b>
<b>17</b>	<b>Figures . . . . .</b>	<b>16</b>
<b>18</b>	<b>Contents . . . . .</b>	<b>17</b>

Please be aware that important notices concerning this document and the product(s) described herein, have been included in section 'Legal information'.



© NXP B.V. 2006.

All rights reserved.

For more information, please visit: <http://www.nxp.com>

For sales office addresses, please send an email to: [salesaddresses@nxp.com](mailto:salesaddresses@nxp.com)

Date of release: 20 October 2006

Document identifier: 111113